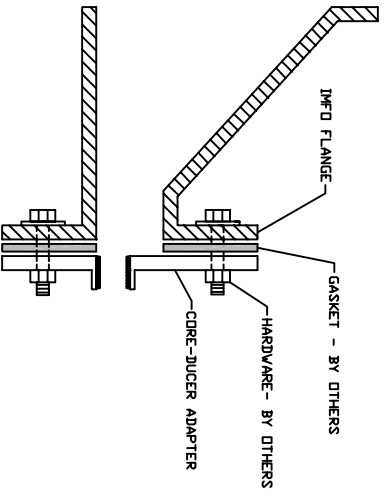
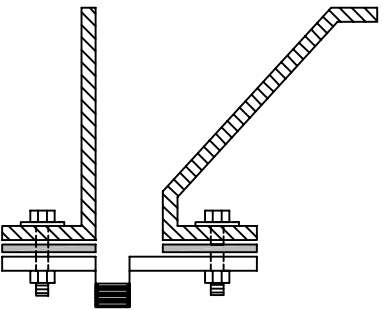


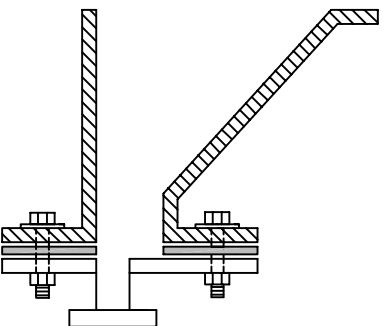
**CORE-DUCER: FPT**



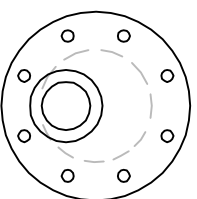
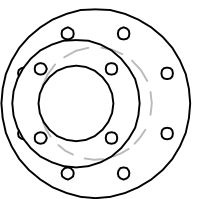
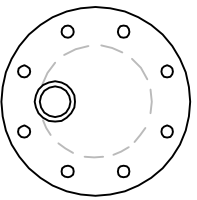
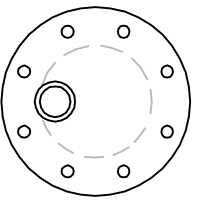
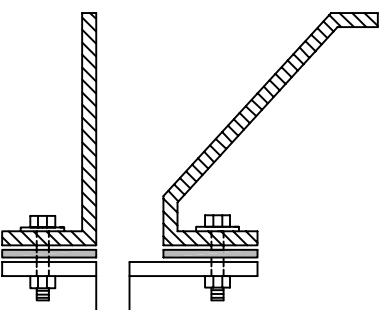
**CORE-DUCER: MPT**



**CORE-DUCER: FLANGED**



**CORE-DUCER: SANITARY**



The Core-Ducer Adapter was developed for the IMFO (integrally molded flanged outlet) tanks manufactured by Poly Processing Company. When the size of the IMFO is greater than the connecting piping, our Core-Ducer Adapter provides for reduction to the correct size in the shortest distance possible while also maintaining the full drainage capability provided by the IMFO outlet. By reducing to the desired piping size at the IMFO, valve, expansion joint, and connection costs are all reduced, providing for a high performance and high value solution.

IMFO FLANGE	REDUCTIONS	CONNECTION OPTIONS	MATERIAL OPTIONS
6"	4"/3"/2"/1.5"/1"	FPT/ MPT/ FLANGE/ SANITARY	316SS PVC CPVC TITANIUM C276
4"	3"/2"/1.5"/1"	FPT/ MPT/ FLANGE/ SANITARY	
3"	2"/1.5"/1"	FPT/ MPT/ FLANGE/ SANITARY	



TITLE	
SCALE	DRAWN BY: KH
DATE: 4-17-02	CHECKED BY: SI

ORP Tank Specialties, Inc. - 3200 E. 19th Street - Signal Hill, CA 90755  
562.986.5242 - FAX 562.986.5246 - www.orptankspecialties.com