

**THE BASIC MANWAY PACKAGE:**

1. MANWAY & COVER WITH RADIUSED SADDLE FOR ATTACHMENT TO THE SIDEWALL OF A POLYETHYLENE TANK
2. 0.25" THICK GASKETS FOR SEALING THE MANWAY TO THE TANK EXTERNALLY AND THE ATTACHMENT HARDWARE TO THE TANK INTERNALLY
3.  $\frac{1}{2}$ " X 3.5" ALLOY CORE-BOLTS WITH PVC ENCAPSULATED HEADS FOR ATTACHING THE MANWAY TO THE TANK - CAPS INCLUDED

**MATERIALS MATERIALS:**

FIBERGLASS\*  
304SS  
316SS  
C-276 (HASTELLOY)  
TITANIUM

**GASKETS:**

EPDM\*  
VITON

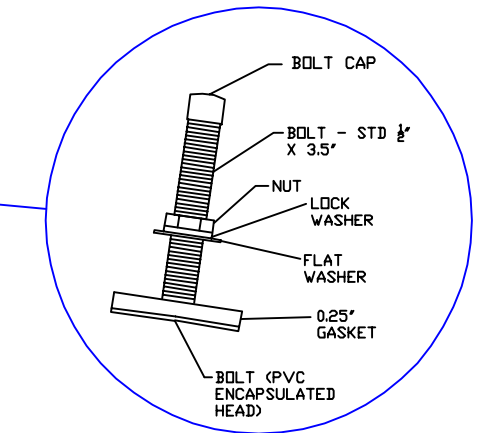
**ATTACHMENT HARDWARE:**

316SS\*  
C-276 (HASTELLOY)  
TITANIUM

**SIZE:**

\*24"

\*DENOTES STANDARD INVENTORY



**OPTIONS:**

- CUSTOM PROJECTION
- LONGER CORE-BOLTS (FOR TANKS WITH WALLS  $\geq$  1.75")
- LARGER SIZES

**NOTES:**

1. THE BASIC MANWAY "PACKAGE" INCLUDES EVERYTHING NECESSARY FOR INSTALLATION
2. VERIFICATION OF COMPATIBILITY IS THE BUYER'S RESPONSIBILITY
3. CALL FOR NON-INVENTORY LEAD TIMES
4. ATTACHMENT HARDWARE: 40 EACH



TITLE	
FIBERGLASS 24" SIDE MANWAY	
SCALE: NONE	DRAWN BY: KH
DATE: 4-17-12	CHECKED BY: SI

CRP Tank Specialties, Inc. - 3300 E. 19th Street - Signal Hill, CA 90755  
562-986-5242 - FAX 562-986-5246 - www.crptankspecialties.com